

## **KALEA BAY (LED) FIREPLACE See-Through Conversion Kits**

78002 (36" Fireplace)

78004 (48" Fireplace)

78006 (60" Fireplace)

78008 (72" Fireplace)

### **Installation Instructions**

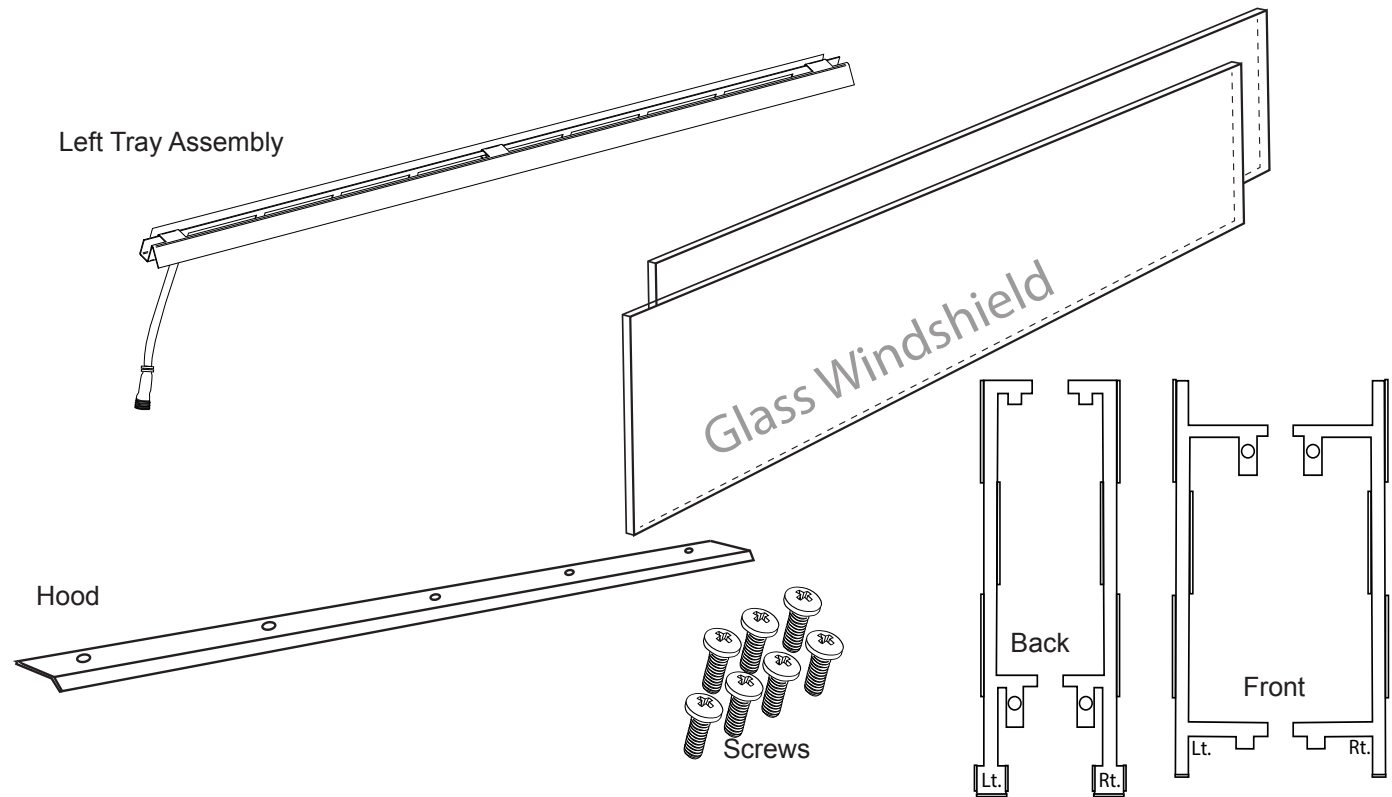
**IF YOU CANNOT READ OR UNDERSTAND THESE INSTALLATION INSTRUCTIONS  
DO NOT ATTEMPT TO INSTALL OR OPERATE THIS PRODUCT**



**PLEASE RETAIN THIS MANUAL FOR FUTURE REFERENCE**

The table below list the fireplace and the conversion kit model for each fireplace. Carefully open the conversion kit and ensure all parts are inside as shown in Fig. 1. **Note:** In some applications not all screws will be used.

OFP-36LECO-NLED	OFP-48LECO-NLED	OFP-60LECO-NLED	OFP-72LECO-NLED
Kit Model # 78002	Kit Model # 78004	Kit Model # 78006	Kit Model # 78008
(2) KB-36-73120 Glass Windshield	(2) KB-49-74120 Glass Windshield	(2) KB-60-75120 Glass Windshield	(2) KB-72-76120 Glass Windshield
(1) 73131 Hood	(1) 74131 Hood	(1) 75131 Hood	(1) 76131 Hood
(1) 77156 LED Glass Clip Rt. Back	(1) 77156 LED Glass Clip Rt. Back	(1) 77156 LED Glass Clip Rt. Back	(1) 77156 LED Glass Clip Rt. Back
(1) 77157 LED Glass Clip Lt. Back	(1) 77157 LED Glass Clip Lt. Back	(1) 77157 LED Glass Clip Lt. Back	(1) 77157 LED Glass Clip Lt. Back
(1) 77154 Glass Clip Rt. Front	(1) 77154 Glass Clip Rt. Front	(1) 77154 Glass Clip Rt. Front	(1) 77154 Glass Clip Rt. Front
(1) 77155 Glass Clip Lt. Front	(1) 77155 Glass Clip Lt. Front	(1) 77155 Glass Clip Lt. Front	(1) 77155 Glass Clip Lt. Front
(7) 77129 8-32x½" Pan Screws	(7) 77129 8-32x½" Pan Screws	(7) 77129 8-32x½" Pan Screws	(7) 77129 8-32x½" Pan Screws
(1) 73221 LED Tray Assembly - Lt.	(1) 74221 LED Tray Assembly - Lt.	(1) 75221 LED Tray Assembly - Lt.	(1) 76221 LED Tray Assembly - Lt.



**Fig. 1** Conversion kit contents (drawings not to scale).

**Tools Needed:** Phillips screwdriver or power screwdriver (to install glass holders and hood); 1/4" hex head tip or 1/4" nut driver (to remove rear panel from fireplace); pair of gloves to protect hands from any sharp metal edges

**CAUTION:** Before removing the rear back panel be sure to remove any loose materials out of the firebox area. To remove the rear back panel and convert fireplace into a see-through, perform the following steps beginning on page 3.

**NOTE:** Some installers may prefer installing the hood(s) before the glass clips, if so, proceed to Step #13 first, then begin at Step #1.

**Notice:**

This manual is only a guide to assist with installation of this kit. Ensure you use the Kalea Bay LED Fireplace installation manual for final preparations and wiring diagrams.

**Step 1: REMOVING BACK REAR PANEL:** The outer perimeter area of the back wall has several 1/4" hex head screws that must be removed from top and bottom of fireplace (See the shaded area in Fig. 2). Only remove the top and bottom screws on the rear panel. The nailing flange will remain in place at the bottom however the nailing flange on top must be re-installed. The back wall panel will remain in one piece. **CAUTION:** Watch for sharp edges. Carefully remove the back wall. **Note:** The numbers of screws to remove will vary with each fireplace model. The back panel will not be used again. Discard back panel and replace the screws previously removed.

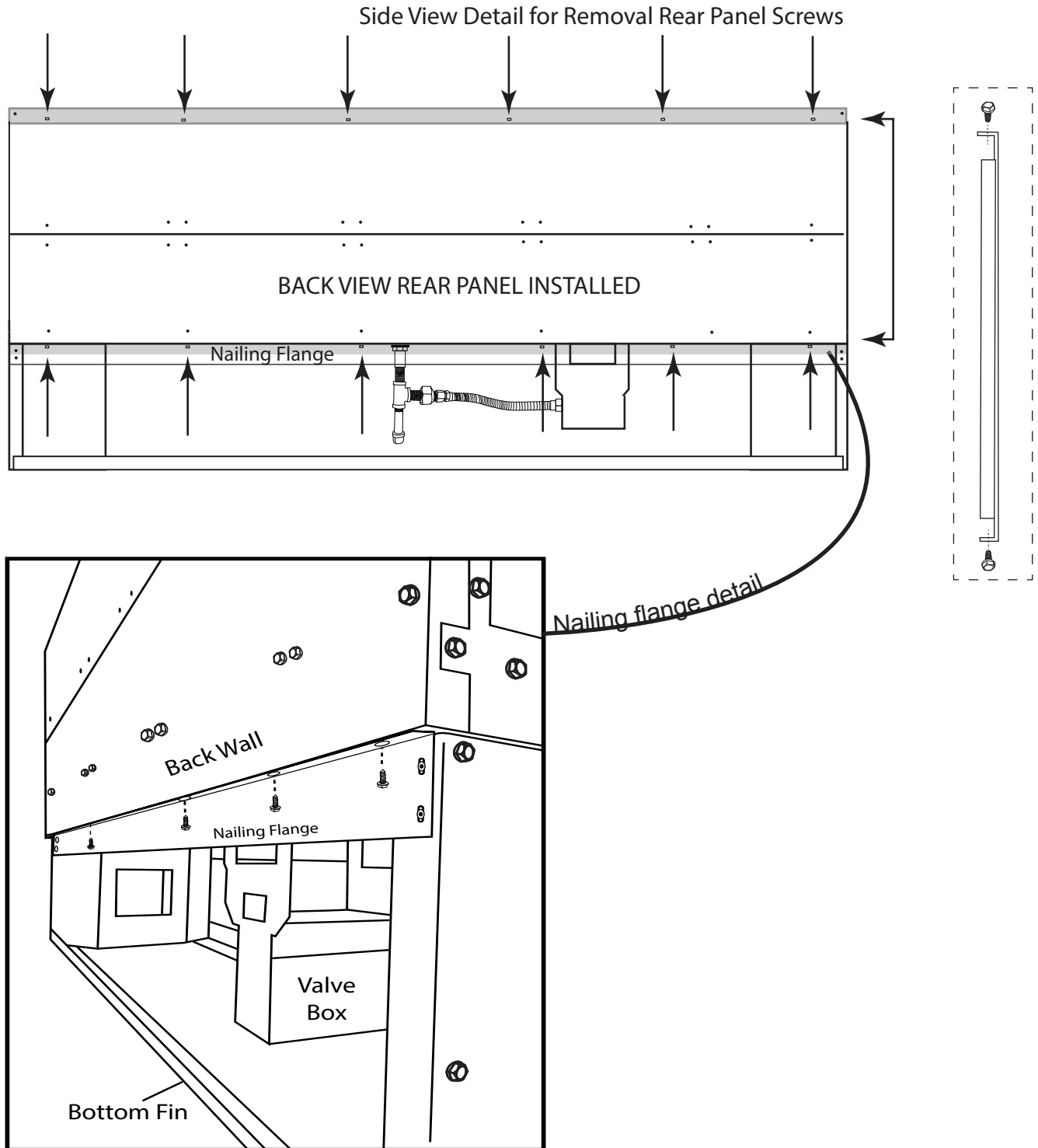


Fig. 2 Removing back wall to convert to see-through model.

**Step 2: Locate Wire Grommets Inside Firebox:** Locate the wire grommets inside the firebox. See Fig. 3. Directly above them will be a two metal bridges to install the glass panel clips. Remove the glass panel clips from the packaging.

**CAUTION:** The metal glass clips may have sharp edges, handle with care. **Note:** A see-through fireplace use (2) on each left and right side.

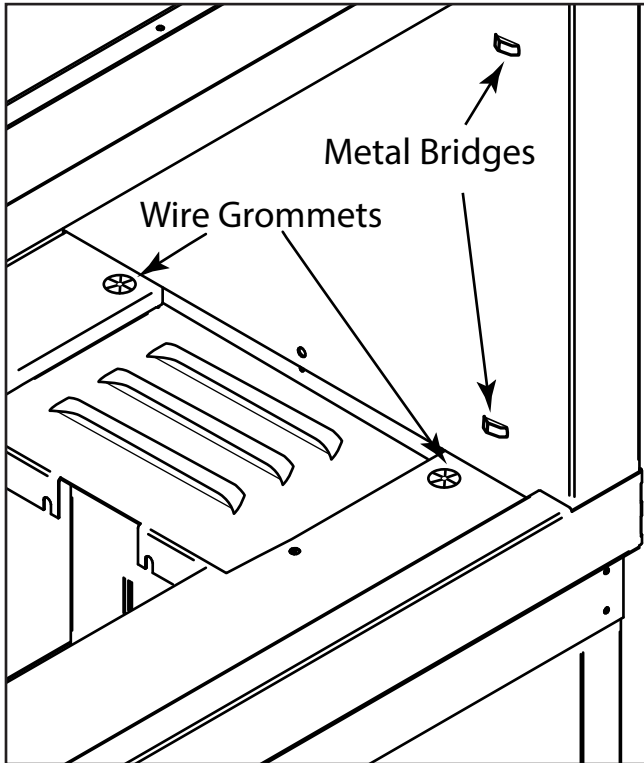


Fig. 3 Locating wire grommets

**Step 3: Peel the plastic coating from each glass panel clip before installing.** The two glass clips are installed before the back glass clips **Note:** There are two right side and two left side clips supplied.

**Step 4:** Install the front glass clips (77155 & 77154) into the metal bridges by sliding the tab of the clip through the metal bridges as shown in Fig. 4. One clip on each side.

**Step 6:** Install the back glass clips (77156 & 77157) over top of the front clips and into the bridges. One clip on each side.

After each both clips are installed, use a flat blade screw and carefully bend the bottom tab out and upward to lock the clips into position. Use a fingertip or pliers to carefully press the tab flat against the metal bridge. See Fig. 5.

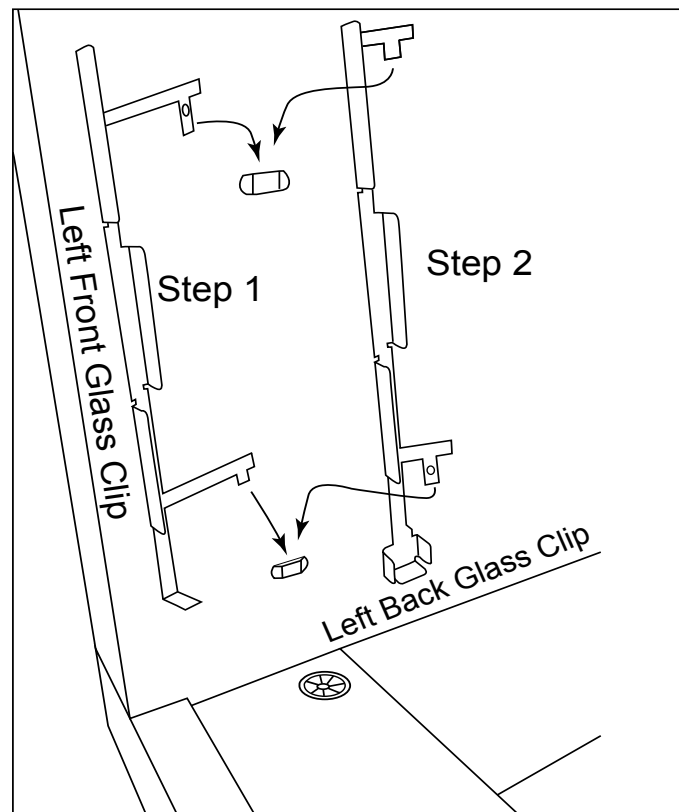


Fig. 4 Shows clips installed on left side of fireplace

## Right Side Panel

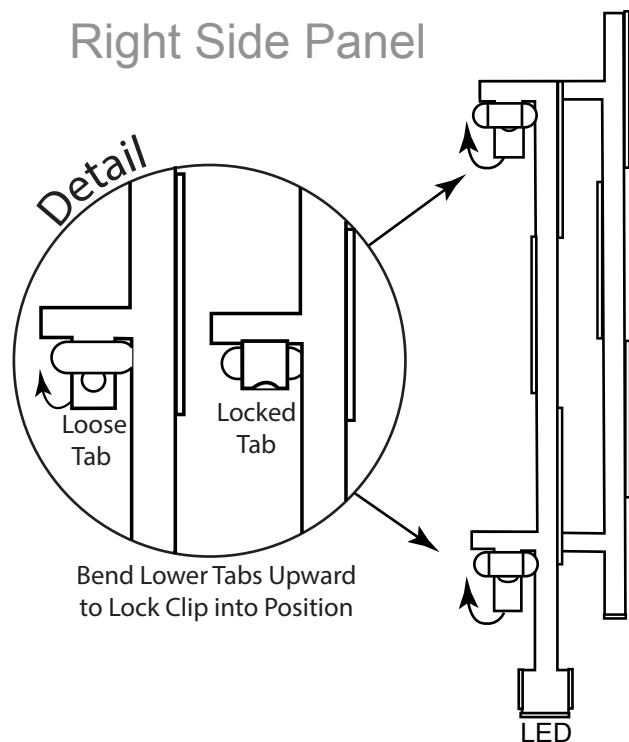


Fig. 5 Installing windshield clips (right side shown)

**Step 7:** Remove the LED left channel assembly from the carton (The front of the channel has a shield facing the front with the LED wire hanging on the left side). See Fig. 7.

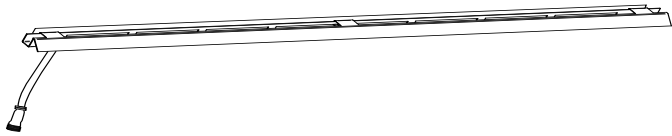


Fig. 7 Shows left LED tray channel

**Step 8:** If needed, remove the screws from the “bottom end” of the burner pan area to provide additional room for wiring the LED lights. The “bottom end” fills the space between the burner pan and the fireplace side panel. It is held into place with three (3) screws. See Fig. 8. After removing the screws lift up the area where the two screws were and push down where the single screw was, then lift the bottom end out of the fireplace.

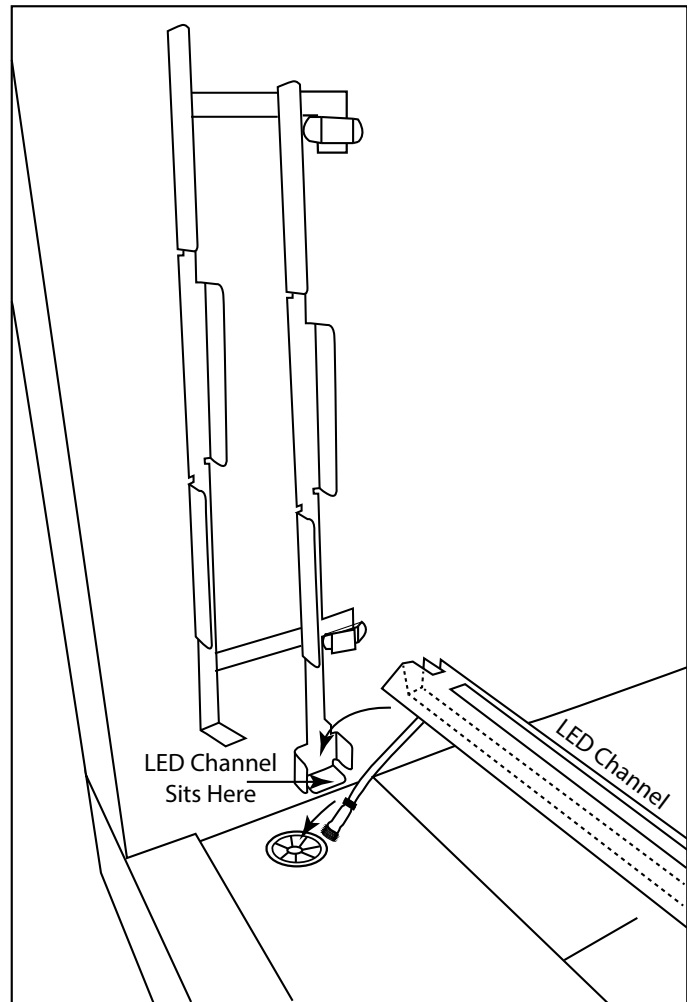


Fig. 8 LED installed in retainer clip inside fireplace

**Step 9:** Insert the LED channel assembly female connector (protruding through the wire grommets) to the LED male connector 77110. **Note:** The male end of the LED connector will only insert into the female connector in one direction. Once locked in position, screw the threaded cap of the female connector securely over the male connector.

**Step 10:** Attach 77110 to 77111 using the molex connectors. After connecting the LED lights into the 77111 wire harness insert the 12-volt adapter 77102 with  $\frac{1}{4}$ " terminals) into the (red & black wires) of LED wire harness. Plug the 12-volt adapter into the 120VAC GFCI box with weather proof cover. See Fig.10, page 6.

**Step 11:** Re-install the “bottom end” if applicable.

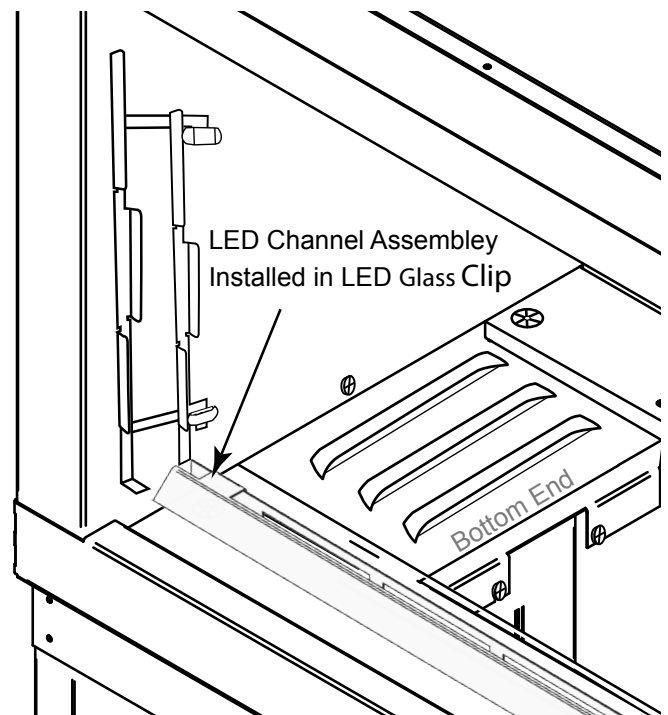
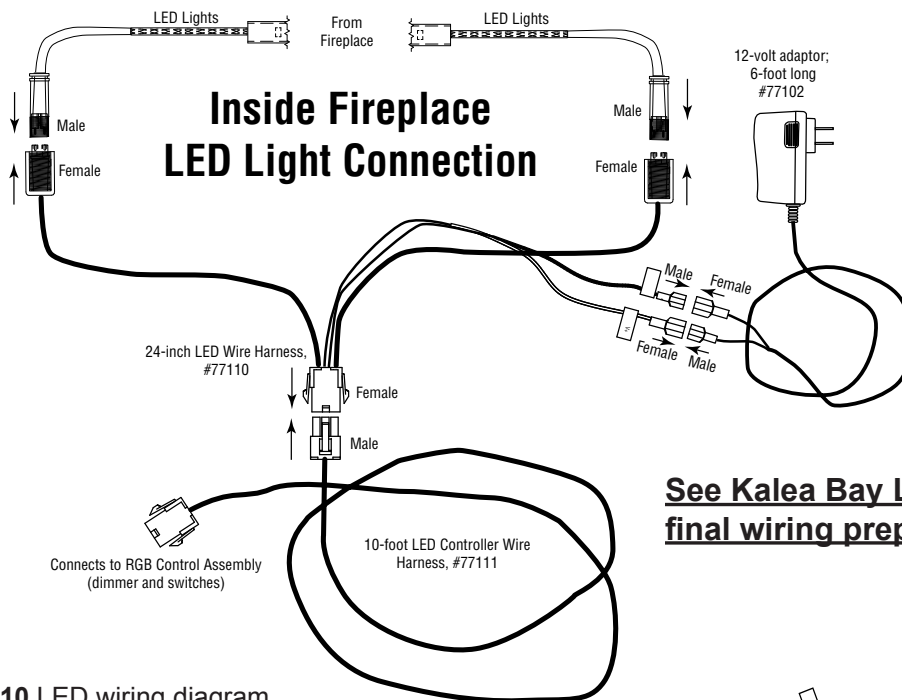


Fig. 9 LED channel installed.



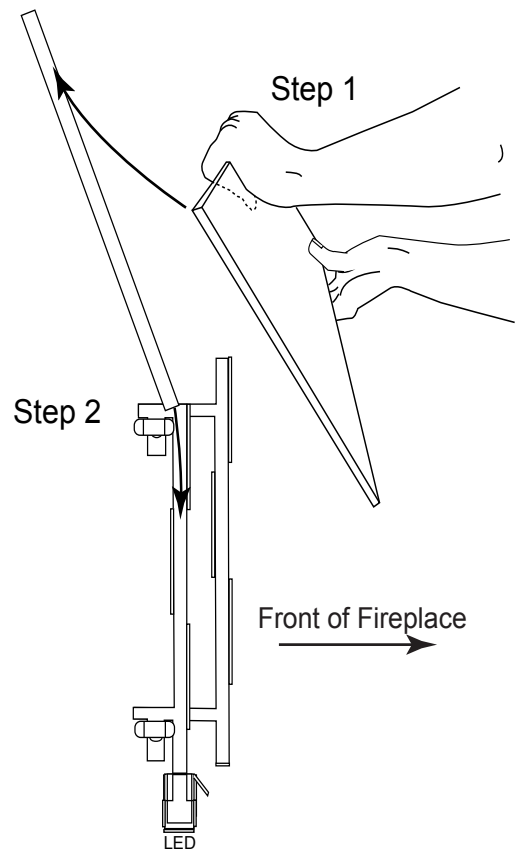
**See Kalea Bay LED installation manual for final wiring preparations.**

**Fig. 10** LED wiring diagram

**GLASS PANEL/WINDSHIELD INSTALLATION**

**Step 12:**

- Carefully unpack the glass panels.
- Using gloves carefully lift one glass panel, into the fireplace opening, over top of the glass clips, and slide it down into the metal retainer clip, supporting the glass at the top and bottom as you handle it. See Fig. 11
- As the glass enters the clip the bottom edge of the glass will rest in place on the bottom of the clip.
- Install the second glass pane in the same manner as described in Fig. 11.
- Both glass panels should be level when installed.
- Center glass between clips after installation.



**Fig. 11** LED Installing glass panels.

**CAUTION:** THIS IS TEMPERED GLASS. DO NOT CHIP GLASS. CHIPPED TEMPERED GLASS CAN BREAK WITHOUT WARNING.

**WARNING**  
**ALL FOUR (4) GLASS PANELS MUST BE INSTALLED WHILE OPERATING A SEE-THROUGH FIREPLACE.**

DANGER

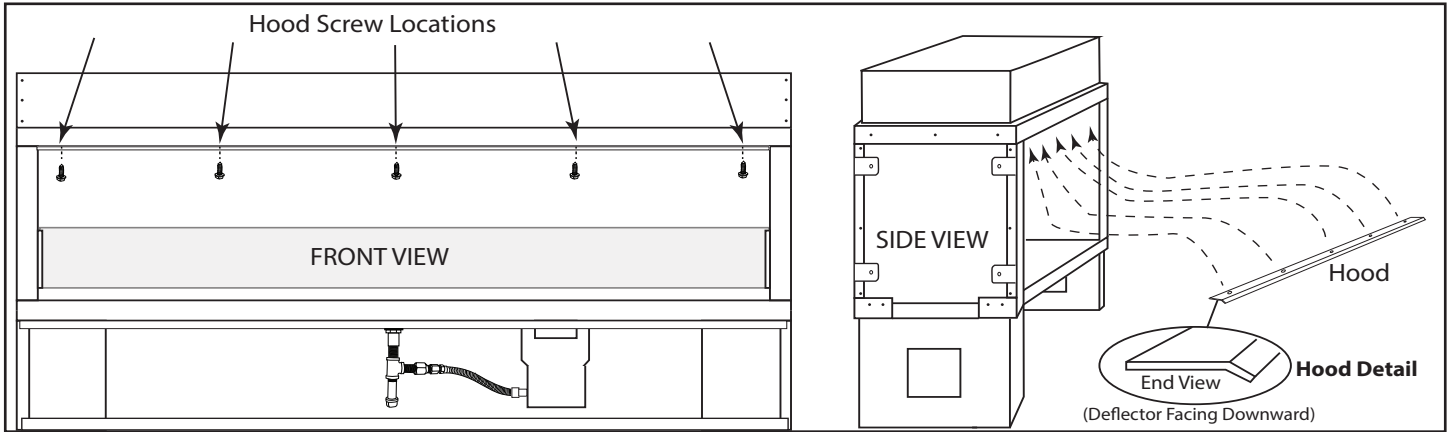
**HOT GLASS WILL CAUSE BURNS**

**DO NOT TOUCH GLASS UNTIL COOLED**

**NEVER ALLOW CHILDREN TO TOUCH GLASS**

A barrier designed to reduce the risk of burns from the hot viewing glass is provided with this appliance and **MUST** be installed for the protection of children and other at-risk individuals.

**Step 13: INSTALLING HOOD:** The fireplace requires a hood to be installed into each side of the firebox. One hood would have come with the single sided fireplace, the other hood is supplied with this kit. All models require five (5) screws (#77129) to secure the hood to the fireplace except the 72-inch model, which uses seven (7) screws to secure the hood. The hood protrudes outward 1-inch from the top opening of the fireplace. Fig. 12 shows hole location and installation process for hood installation. The protruding area of the hood angles downward to deflect heat, see Hood Detail below.



**Fig. 12** Installing hood(s) on the fireplace.

**See Kalea Bay installation manual for any warranty questions.**

**FOR TECHNICAL SERVICE, CALL:** (800) 966-8126

Firegear Outdoors  
17322 Gothard Street  
Huntington Beach, CA 92647

**WEB SITE:** [www.firegearoutdoors.com](http://www.firegearoutdoors.com)

